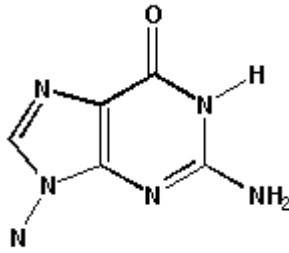
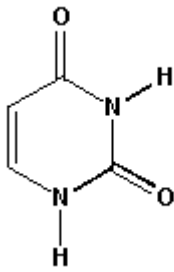


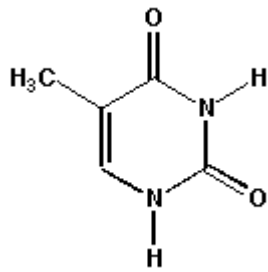
Adenine



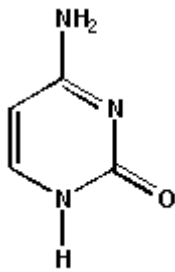
Guanine



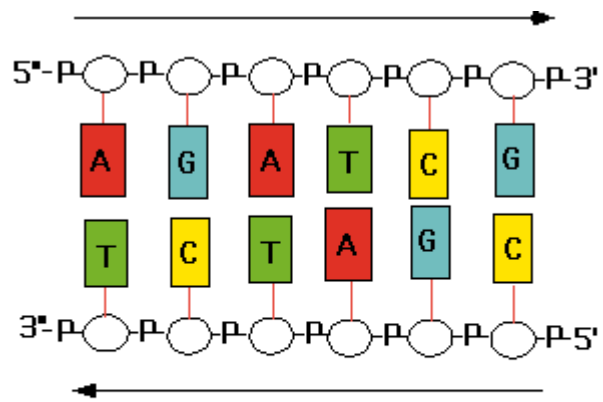
Uracil



Thymine



Cytosine



Watson-Crick Anti-Parallel Base Pairing
"The Double Helix"