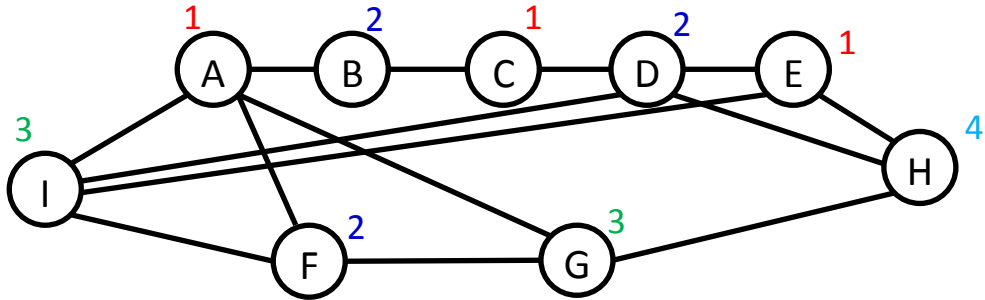
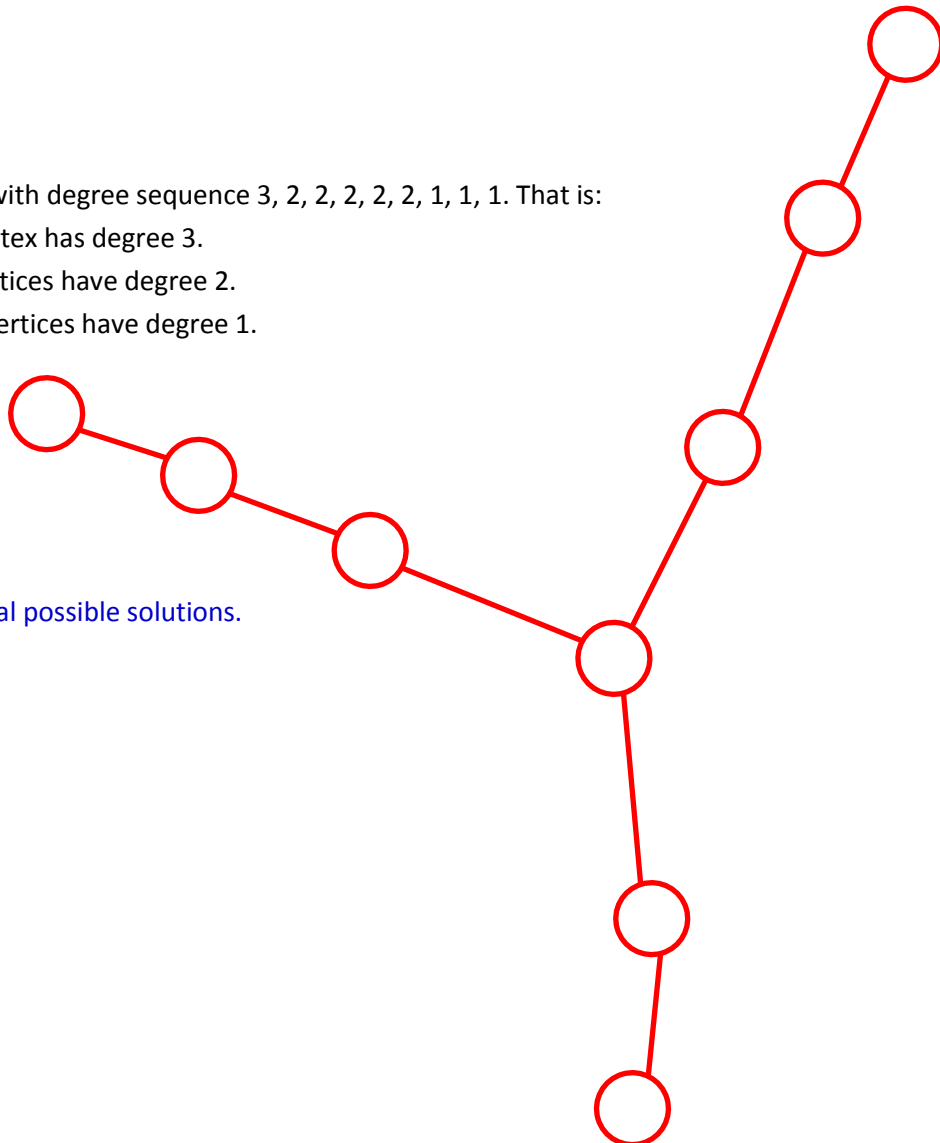


1) Using the colors 1, 2, 3, ... and the vertex ordering A, B, C, ... color the graph below using the greedy coloring.



2) Draw a tree with degree sequence 3, 2, 2, 2, 2, 2, 1, 1, 1. That is:

- One vertex has degree 3.
- Five vertices have degree 2.
- Three vertices have degree 1.



There are several possible solutions.